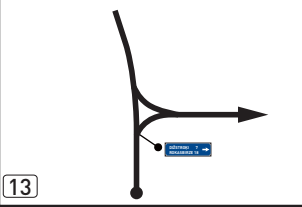

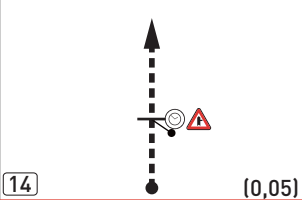
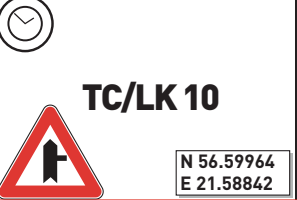
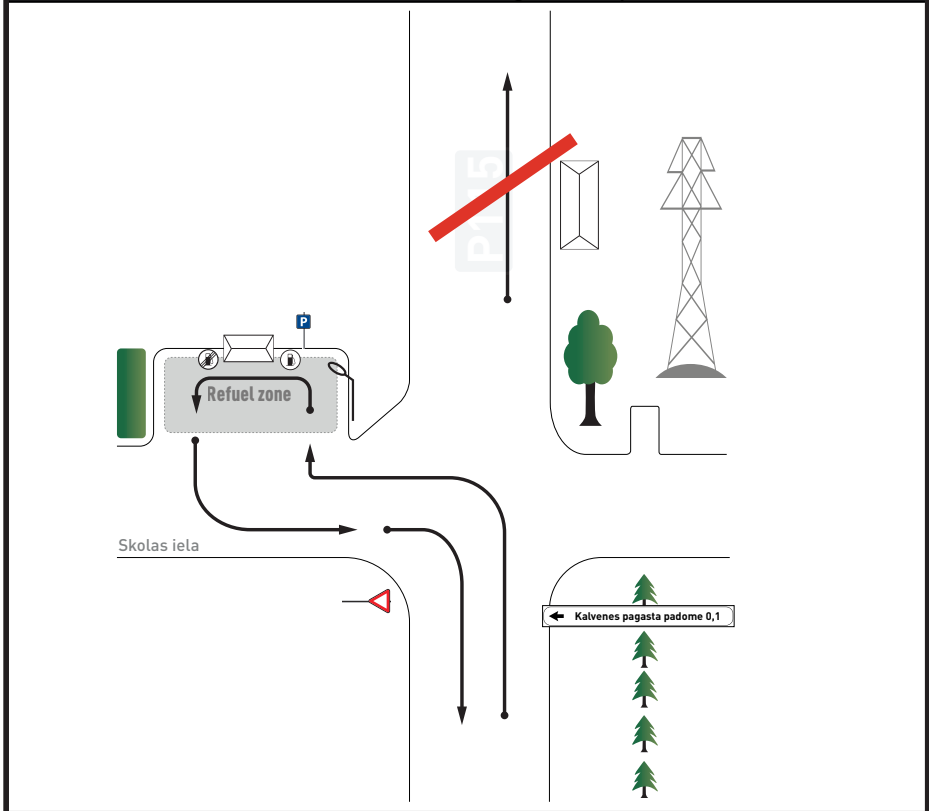


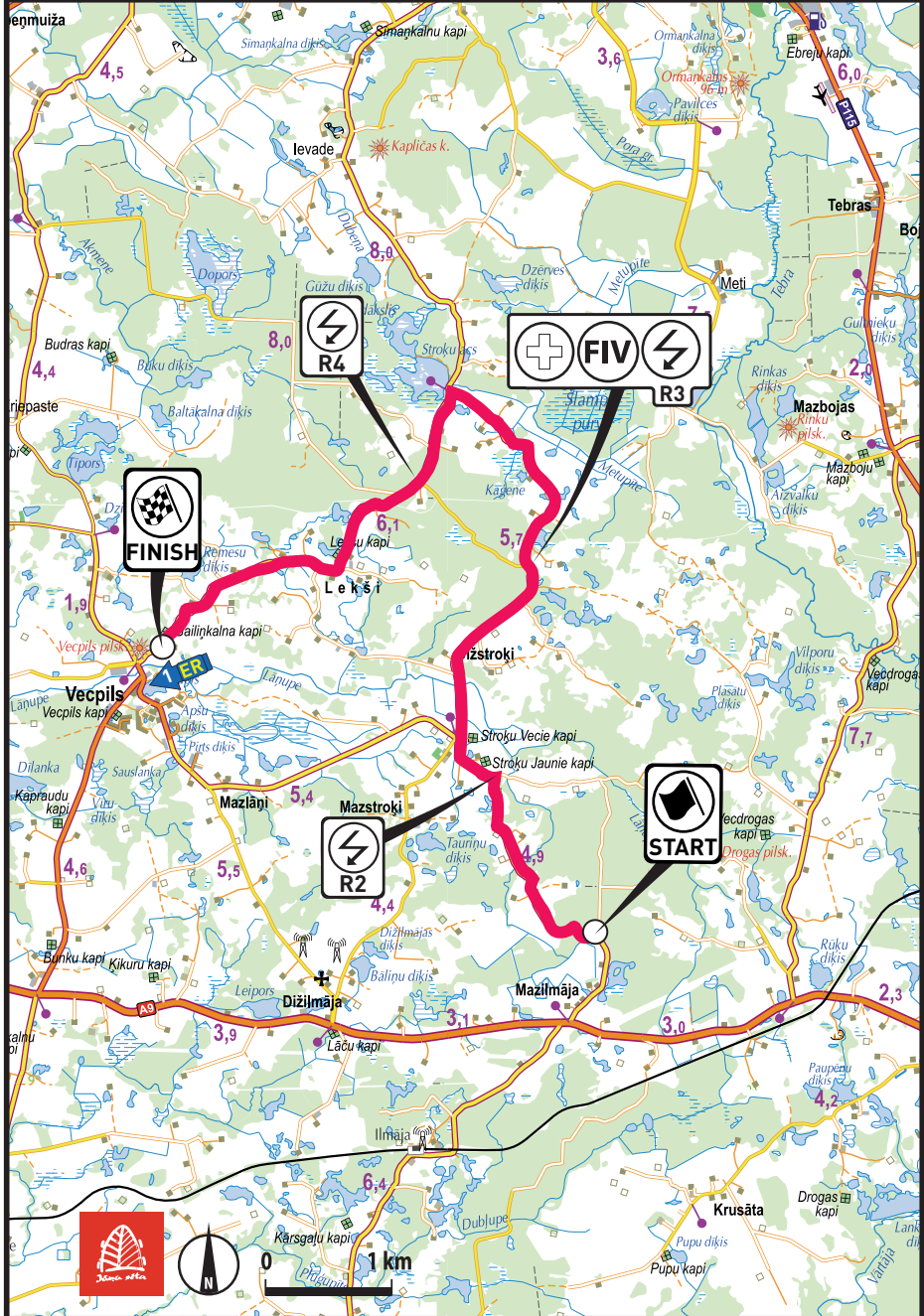
DISTANCE/ DISTANCE		DIRECTION/ VIRZIENS		A	DISTANCE REGRESS/ ATTĀLUMS LIDZ LK
TOTAL/ KOPĀ	PARTIAL/ LIDZ ORIENT.			G	
TC/LK 9	TC/LK 10			DISTANCE/ DISTANCE:	LEG/ APLIS: 2
				20.80 km	SECTION/ SEKCIJA: 4
				AVERAGE/ VIDĒJAIS ĀTRUMS:	TIME ALLOWED/ LAIKA NORMA:
				46.22 km/h	27 min
7.82	1.00				12.98
8.30	0.48				12.50
8.39	0.09				12.41
8.51	0.12				12.29
9.02	0.51				11.78
16.15	7.13				4.65

TC/LK 9 TC/LK 10		DISTANCE/DISTANCE: 20.80 km		LEG/APLIS: 2
		AVERAGE/VIDĒJAIS ĀTRUMS: 46.22 km/h		SECTION/SEKCIJA: 4
DISTANCE/DISTANCE TOTAL/ KOPĀ		DIRECTION/ VIRZIENS		A G INFORMATION/ INFORMĀCIJA
PARTIAL/ LĪDZ ORIENT.				DISTANCE REGRESS/ ATTĀLUMS LĪDZ LK
19.58	3.43			1.22
20.80	1.22			0.00

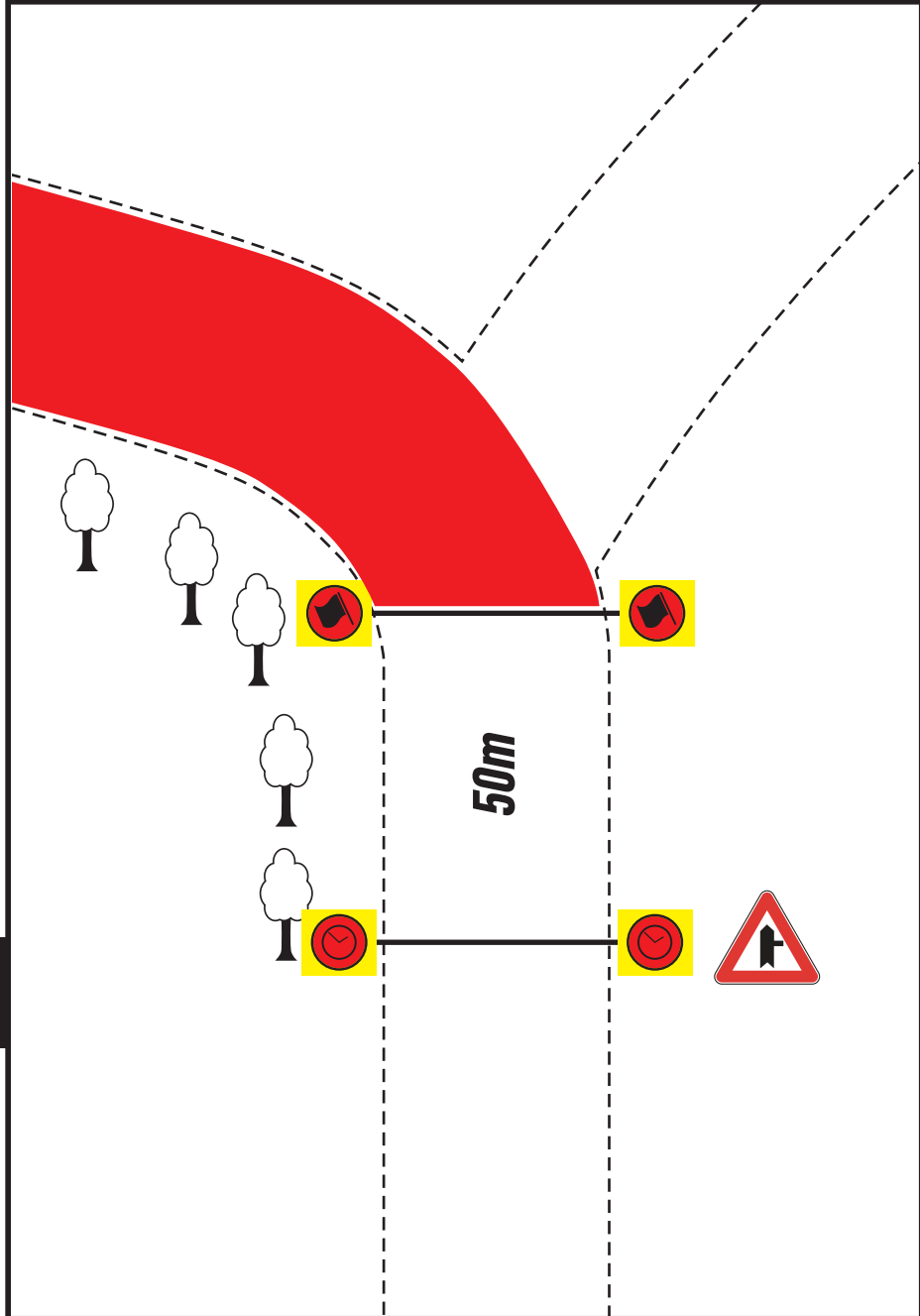
Scheme of Refuel area Kalvene/ Kalvenes degvielas uzpildes shēma



TC/LK 10/13	DISTANCE/DISTANCE:	LEG/APLIS:
TC/LK 10A/13A Regrouping & Technical zone IN/ Technical zone IN	47.73 km	2
SPECIAL STAGE/ ĀTRUMPOSMS:	RECORD/ REKORDS:	SECTION/ SEKCIJA:
NESTE 1/ NESTE 2	10/13 15.07 km	4/5
	Revised Route	TIME ALLOWED/ LAIKA NORMA:
		60 min



TC/ LK 10/13	DISTANCE/ DISTANCE:	LEG/ APLIS:
TC/ LK 10A/13A Regrouping & Technical zone IN/ Technical zone IN	47.73 km	2
SPECIAL STAGE/ ĀTRUMPOSMS:	RECORD/ REKORDS:	SECTION/ SEKCIJA:
NESTE 1/ NESTE 2	10/13 15.07 km	4/5
	Revised Route	TIME ALLOWED/ LAIKA NORMA:
		60 min

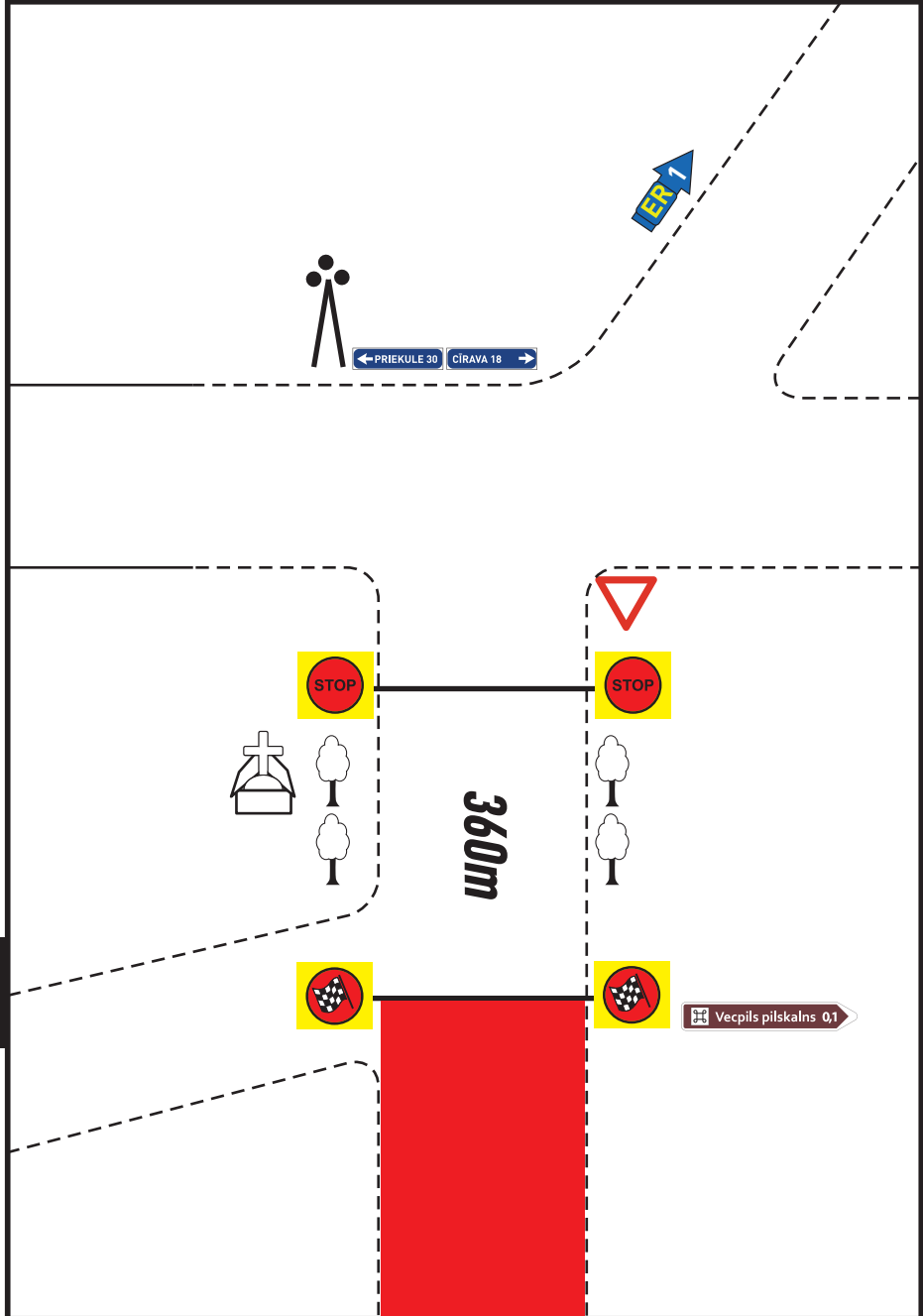


**10
13**

TC/ LK 10/13	DISTANCE/ DISTANCE:	LEG/ APLIS:
TC/ LK 10A/13A Regrouping & Technical zone IN/ Technical zone IN	47.73 km	2
SPECIAL STAGE/ ĀTRUMPOSM:	RECORD/ REKORDS:	SECTION/ SEKCIJA:
NESTE 1/ NESTE 2	10/13 15.07 km	4/5
	Revised Route	TIME ALLOWED/ LAIKA NORMA:
		60 min


**10
13**

TC/ LK 10/13	DISTANCE/ DISTANCE:	LEG/ APLIS:
TC/ LK 10A/13A Regrouping & Technical zone IN/ Technical zone IN	47.73 km	2
SPECIAL STAGE/ ĀTRUMPOSM:	RECORD/ REKORDS:	SECTION/ SEKCIJA:
NESTE 1/ NESTE 2	10/13 15.07 km	4/5
	Revised Route	TIME ALLOWED/ LAIKA NORMA:
		60 min



TC/ LK 10/13	DISTANCE/ DISTANCE:	LEG/ APLIS:
TC/ LK 10A/13A Regrouping & Technical zone IN/ Technical zone IN	47.73 km	2
SPECIAL STAGE/ ĀTRUMPOSM: 10/13	RECORD/ REKORDS:	SECTION/ SEKCIJA: 4/5
NESTE 1/ NESTE 2	15.07 km	TIME ALLOWED/ LAIKA NORMA: 60 min
REvised Route		




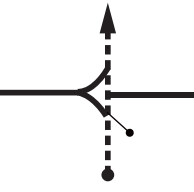
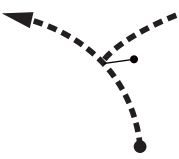
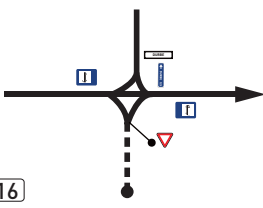

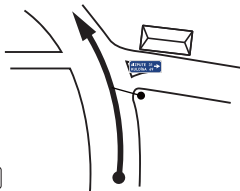



**10
13**

TC/LK 10/13		DISTANCE/DISTANCE:		LEG/APLIS:	
TC/LK 10A/13A Regrouping & Technical zone IN/ Technical zone IN		47.73 km		2	
SPECIAL STAGE/ ĀTRUMPOSM:		RECORD/ REKORDS:		SECTION/ SEKCIJA:	
NESTE 1/ NESTE 2		15.07 km		4/5	
DISTANCE/DISTANCE		RECORD/ REKORDS:		TIME ALLOWED/ LAIKA NORMA:	
TOTAL/ KOPĀ	PARTIAL/ LIDZ ORIENT.	Revised Route		60 min	
DIRECTION/ VIRZIENS		A INFORMATION/ INFORMĀCIJA		DISTANCE REGRESS/ ATTĀLUMS LIDZ LK	
G					
0.00	0.00			START SS10/SS13 "NESTE 1/NESTE 2"	47.73
				N 56.60002 E 21.58791	
2.77	2.77				44.96
				N 56.61746 E 21.56505	
3.57	0.80				44.16
5.06	1.49				42.67
5.79	0.73				41.94
6.32	0.53				41.41
				N 56.64228 E 21.57014	

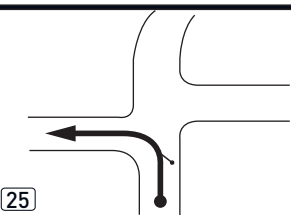
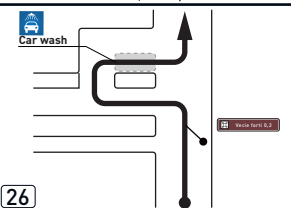

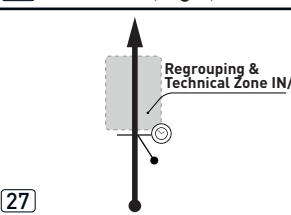

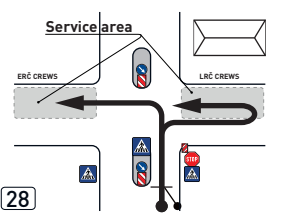

**10
13**

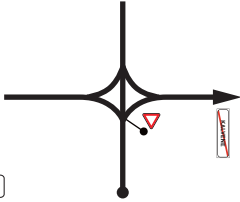

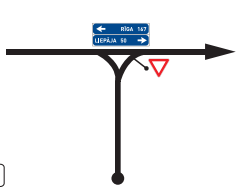
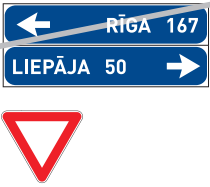
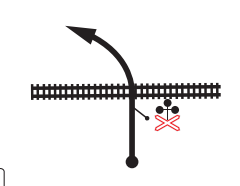



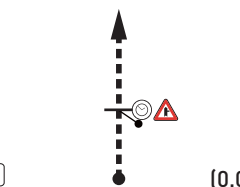

TC/ LK 10/13		DISTANCE/ DISTANCE:		LEG/ APLIS:		
TC/ LK 10A/13A Regrouping & Technical zone IN/ Technical zone IN		47.73 km		SECTION/ SEKCIJA: 2 4/5		
SPECIAL STAGE/ ĀTRUMPOSMS:		RECORD/ REKORDS:		TIME ALLOWED/ LAIKA NORMA:		
NESTE 1/ NESTE 2		10/13 15.07 km		Revised Route 60 min		
DIRECTION/ VIRZIENS		A INFORMATION/ INFORMĀCIJA		DISTANCE REGRESS/ ATTĀLUMS LIDZ LK		
TOTAL/ KOPĀ	PARTIAL/ LIDZ ORIENT.	G				
9.33	3.01					38.40
10.57	1.24					37.16
12.57	2.00					35.16
15.07	2.50					32.66
15.43	0.36					32.30
15.81	0.38					31.92

**10
13**

TC/ LK 10/13		DIRECTION/ VIRZIENS	DISTANCE/ DISTANCE:	LEG/ APLIS:	
TC/ LK 10A/13A Regrouping & Technical Zone IN/ Technical Zone IN			47.73 km	SECTION/ SEKCIJA:	2 4/5
			AVERAGE/ VIDĒJAIS ĀTRUMS:	TIME ALLOWED/ LAIKA NORMA:	
			47.73 km/h	60 min	
DISTANCE/ DISTANCE		DIRECTION/ VIRZIENS	A G	INFORMATION/ INFORMĀCIJA	DISTANCE REGRESS/ ATTĀLUMS LIDZ LK
TOTAL/ KOPĀ	PARTIAL/ LIDZ ORIENT.				
19.99	4.18	 13			27.74
23.28	3.29	 14			24.45
23.73	0.45	 15			24.00
24.08	0.35	 16			23.65
31.25	7.17	 17			16.48
37.20	5.95	 18			10.53

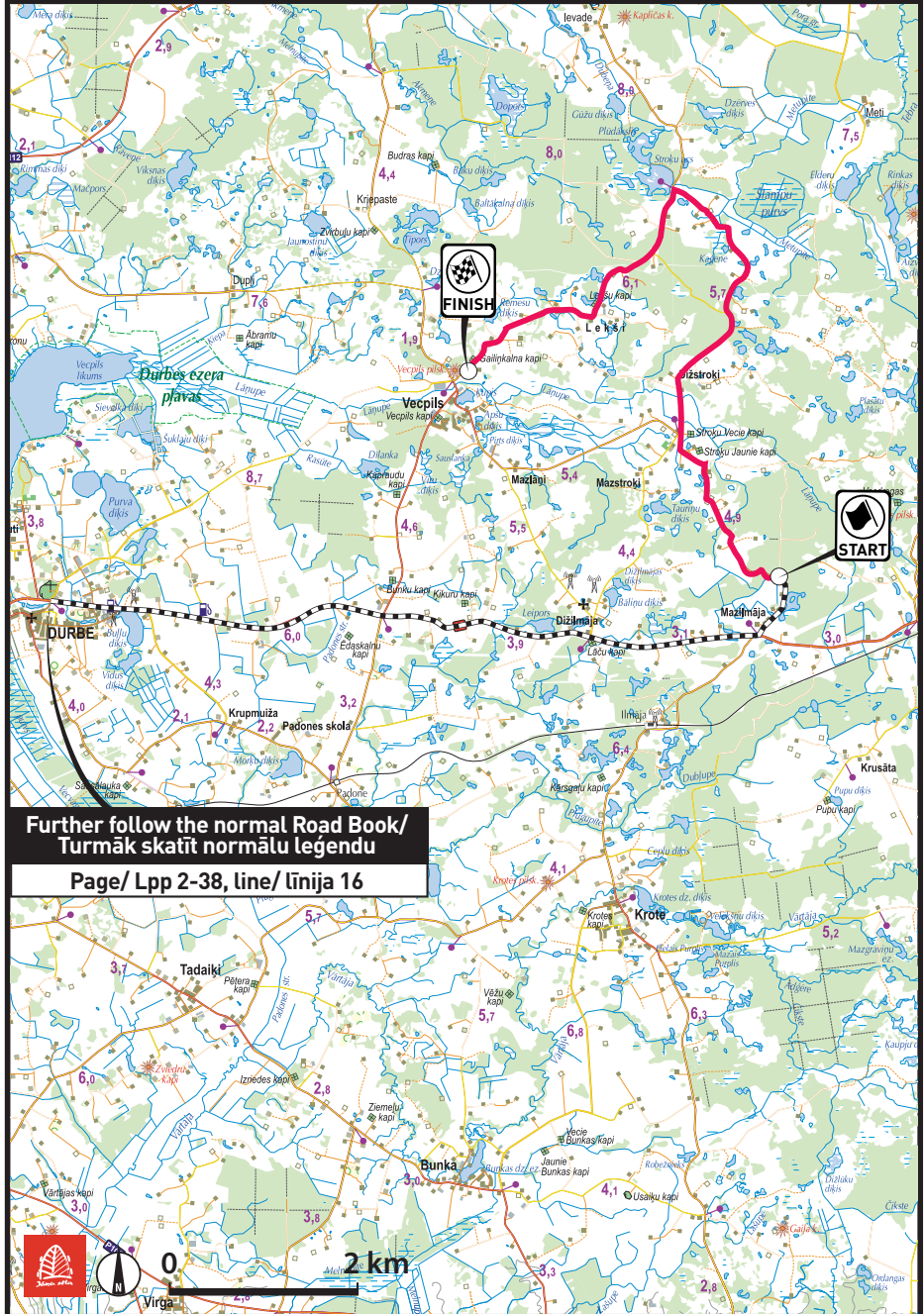
TC/ LK 10/13 TC/ LK 10A/13A Regrouping & Technical Zone IN/ Technical Zone IN		DISTANCE/ DISTANCE: 47.73 km		LEG/ APLIS: SECTION/ SEKCIJA: 2 4/5	
		AVERAGE/ VIDĒJAIS ĀTRUMS: 47.73 km/h		TIME ALLOWED/ LAIKA NORMA: 60 min	
DIRECTION/ VIRZIENS		A 6 INFORMATION/ INFORMĀCIJA		DISTANCE REGRESS/ ATTĀLUMS LIDZ LK	
TOTAL/ KOPĀ	PARTIAL/ LIDZ ORIENT.				
37.64	0.44			10.09	
39.74	2.10			7.99	
40.93	1.19			6.80	
43.25	2.32			4.48	
45.37	2.12			2.36	
45.74	0.37			1.99	

TC/LK 10/13 TC/LK 10A/13A Regrouping & Technical Zone IN/ Technical Zone IN		DISTANCE/ DISTANCE: 47.73 km	LEG/ APLIS: SECTION/ SEKCIJA: 2 4/5	
		AVERAGE/ VIDĒJAIS ĀTRUMS: 47.73 km/h	TIME ALLOWED/ LAIKA NORMA: 60 min	
DISTANCE/ DISTANCE		DIRECTION/ VIRZIENS	INFORMATION/ INFORMĀCIJA	DISTANCE REGRESS/ ATĀLUMS LIDZ LK
TOTAL/ KOPĀ	PARTIAL/ LIDZ ORIENT.			
47.09	1.35			0.64
47.28	0.19			0.45
47.58	0.30		 TC/LK 10A Regrouping & Technical Zone IN TC/LK 13A Technical Zone IN N 56.54076 E 21.07798	0.15
47.73	0.15		 TC/LK 10B Regrouping & Technical Zone OUT/ Service Park Liepaja IN TC/LK 13B Technical Zone OUT/ Service Park Liepaja IN STOP N 56.54022 E 21.07738	0.00

TC/LK 12 TC/LK 13		DISTANCE/DISTANCE: 25.20 km		LEG/APLIS: 2 5	
		AVERAGE/VIDĒJAIS ĀTRUMS: 47.25 km/h		TIME ALLOWED/LAIKA NORMA: 32 min	
DISTANCE/DISTANCE TOTAL/KOPĀ		DIRECTION/VIRZIENS	A G INFORMATION/ INFORMĀCIJA	DISTANCE REGRESS/ ATTĀLUMS LIDZ LK	
PARTIAL/ LIDZ ORIENT.					
12.91	0.12	 13		12.29	
13.42	0.51	 14		11.78	
20.55	7.13	 15		4.65	
23.98	3.43	 16		1.22	
25.20	1.22	 17	 TC/LK 13 N 56.59964 E 21.58842	0.00	




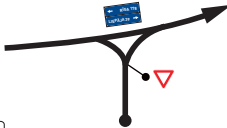



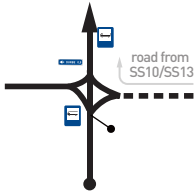

*Please refer to page from SS10/13 page 2-31 - SS10/SS13 page 2-40
Izmantojiet pozīcijas no PS10/PS13 2-31lpp. - PS10/PS13 2-40lpp*

TC/LK 10/13	Regrouping & Technical Zone IN/	DISTANCE/ DISTANCE:	LEG/ APLIS:
TC/LK 10A/13A	Technical Zone IN	23.65 km	2
Alternative road/ Alternatīvais ceļš		AVERAGE/ VIDĒJAIS ĀTRUMS:	SECTION/ SEKCIJA:
		23.65 km/h	4/5
		TIME ALLOWED/ LAIKA NORMA:	60 min



**Further follow the normal Road Book/
Turmāk skatīt normālu legendu**

Page/ Lpp 2-38, line/ līnija 16

TC/ LK 10/13 TC/ LK 10A/13A Regrouping & Technical Zone IN/ Technical Zone IN		DISTANCE/ DISTANCE: 23.65 km	LEG/ APLIS: SECTION/ SEKCIJA: 2 4/5
Alternative road/ Alternatīvais ceļš		AVERAGE/ VIDĒJAIS ĀTRUMS: 23.65 km/h	TIME ALLOWED/ LAIKA NORMA: 60 min
DIRECTION/ VIRZIENS		A G INFORMATION/ INFORMĀCIJA	DISTANCE REGRESS/ ATTĀLUMS LIDZ LK
TOTAL/ KOPĀ	PARTIAL/ LIDZ ORIENT.		
0.00	0.00	 1	 Turn at TC/ Apgriezties pie LK TC/LK 10/13  N 56.59964 E 21.58842 37.91
1.22	1.22	 2	   36.69
14.26	13.04	 3	 Further follow the normal Road Book/ Turmāk skatīt normālu leģendu Page/ Lpp 2-38, line/ līnija 16 23.65